



TECHNICAL DATA SHEET

ART. 507040

Steel



DIMENSION

40mm

DESCRIPTION:

Long Hinge to Weld Heavy Type

FINISHING:

Natural Steel

CATEGORY:

Hinges

MATERIAL:

Body: Steel (DD11)

Long Hinge to weld heavy type

The performances are intended for products correctly positioned, fixed, aligned and maintained in relation to the use, the positioning and the environmental conditions. The following factors can affect very much durability, performances and safety:

- The positioning and the alignment on an adequate support
- The correct mounting (screwing or welding) and regulation
- The regular lubrication, cleaning and maintenance (avoiding dirt, dust, rust, etc...)

I.B.F.M. suggest normal scheduled inspection, cleaning and maintenance of the products or eventually their substitution if damaged.

All the declared characteristics and performances refer to a product correctly installed by qualified personnel and regularly inspected, maintained and lubricated. I.B.F.M. declines any liability for even partial modifications to the product.

The company I.B.F.M. hereby declares that the above items are produced in Italy in conformity with the existing norms in force.

All pictures, technical drawings and related specifications are exclusive property of I.B.F.M. and they are defended by laws of copyright. Without the written agreement of I.B.F.M., all uses and reproductions will be legally prosecuted. I.B.F.M. reserve the right to make changes without notice and independently on product specifications and characteristics.



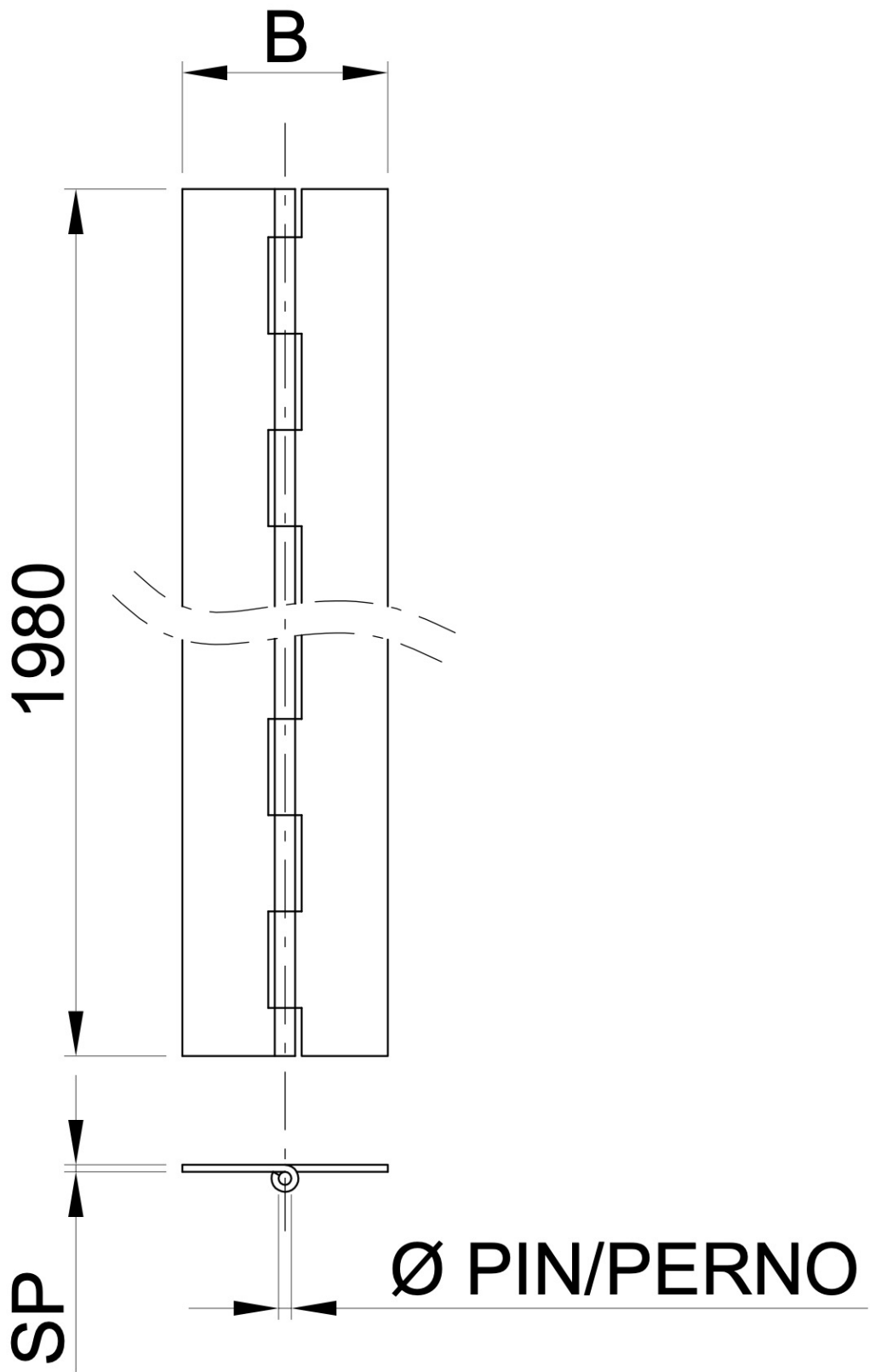
ISO 9001

Signed for and on behalf of the manufacturer



Desio, 02 marzo 2023



Industria Briantea Ferramenta Minuterie
Desio (MB) ITALY - www.ibfm.it



B	40	50	60
SP	1.5	1.5	2.0
ØPIN	4	4	6

ARTICOLO. 00507		REV. 0001	 20832 desio (MB) - Italy Via Lavoratori Autobianchi,1B +39-0362-627078/624502 Fax +39-0362-302692 ibfm@ibfm.it
DESCRIZIONE Cerniera a metro senza fori		UNITA mm	
PERCORSO Disegni/Art.00507/Art.00507.dwg		SCALA 1:1	
DISEGNATORE D.F.	DATA 21/11/2016		
<small>Proprietà esclusiva di I.B.F.M. S.r.l. che si riserva tutti i diritti a termine di legge con divieto d'uso e riproduzione senza l'autorizzazione scritta da parte dell'azienda. I.B.F.M. S.r.l. si riserva il diritto di apportare modifiche senza preavviso e autonomamente. Exclusive property of I.B.F.M. S.r.l. which reserves all rights by law with the prohibition of use and reproduction without the written agreement of the company. I.B.F.M. S.r.l. reserves the right to make changes without any notification and independently.</small>			