



# IB RUBINETTI

Collection

## WHYNOT?

Article

## WN200

Description

**Monohole washbasin mixer**

Box Dimensions

**200 x 280 x 90 mm**

Weight

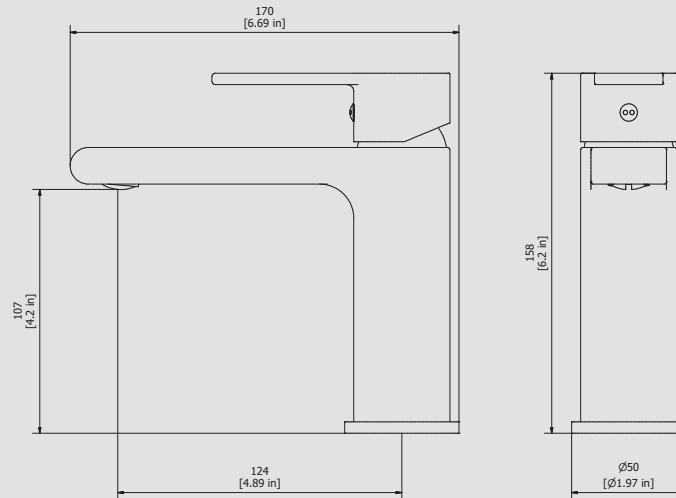
**1.6 kg**

Finishes

- CC**  
CHROME
- CF**  
BLACK CHROME
- OO**  
GOLD
- BB**  
ANTIQUÉ BRONZE
- SS**  
BRUSHED NICKEL
- CS**  
BRUSHED BLACK CHROME
- BO**  
MATT WHITE
- NP**  
MATT BLACK
- IS**  
BRUSHED PALE GOLD
- OS**  
BRUSHED GOLD
- II**  
PALE GOLD
- RR**  
ANTIQUÉ COPPER
- ORS**  
ROSE GOLD
- ON**  
NATURAL BRASS
- SR**  
BRUSHED ROSE GOLD
- PL**  
PLATINUM



Dimensions



Cartridge

**Ø35 ceramic cartridge**

Hoses

**Inox hoses G3/8" female 450 mms long**

Aerator

**M24x1**

Flow Rate (+/-10%)

<b>1 BAR</b>	<b>2 BAR</b>	<b>3 BAR</b>
<b>9.1 l/min</b>	<b>13 l/min</b>	<b>16 l/min</b>

Production

**Main body is a single casted pieces**

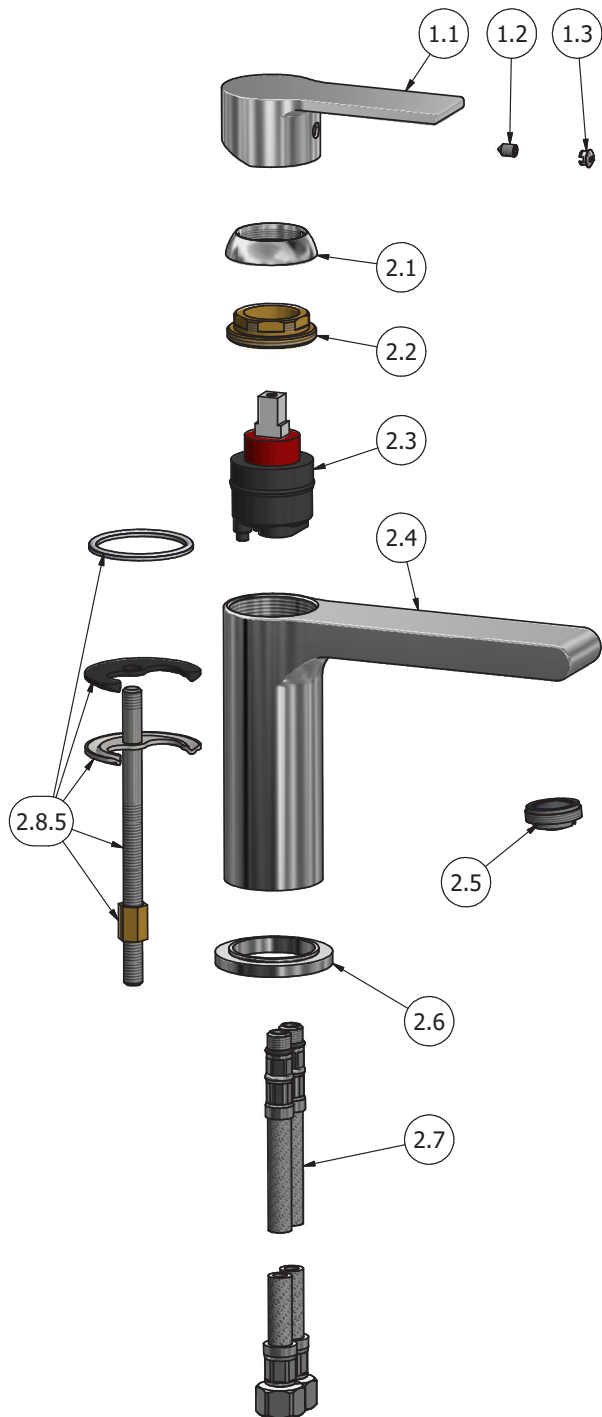
Material

**BRASS**  
According to CuZn35Pb2AL-B (CB752S)  
Max Lead content: 1.36%





# IB RUBINETTI



Parts list			
ELEM	CODE	DESCRIPTION	QT
1	AQ0015945	Handle Ø42 H30 L103	1
1.1		Handle Ø42 lever 30x83 square 9x9	1
1.2		Grubscrew M5x8 cone point	1
1.3		Plug cover Ø7	1
2	AQ0015940	Preassembled washbasin mixer	1
2.1		Wheel cover M32x1.25F	1
2.2		Ring M38x1.25M M32x1.25M	1
2.3		Ceramic cartridge Ø35	1
2.4		Body Ø42 H120 L145	1
2.5		Perlator coin slot M24x1 (45.2006.000)	1
2.6		Ø50X5 base	1
2.7		Inox hose M10x1 G3/8" F L450	2
2.8		Fixing set M8 L130	1
2.8.1		Gasket Ø44.5 Ø38 H4.2	1
2.8.2		Gasket Ø49.8 H4.2	1
2.8.3		Fixing flange Ø49.8 H3.5	1
2.8.4		Rod M8 L130	1
2.8.5		Nut M8 H15 ES11	1

**WARRANTY**

All IB Rubinetterie SpA products are warranted for 10 years from the date of purchase, for the following cases:

- Defects of casting, porosity and chrome plating.
- Operating defects caused by incorrect fabrication.

The warranty provides for repair or replacement of products with fabrication defects recognized by our technical office. There is no other type of compensation anche the merchandise must be returned FOB our warehouse. The warranty only cover surface defects (scatches, dings, etc.) on fitting that have not been installed and used, returned in its original packaging with all components. O-ring, gasket seals and components subject to wear proportional to use are warranted for 2 years.

**The warranty is void in the following cases:**

Error installing and putting the product into service.

Deterioration of finisched surfaces due to use of cleaning products containing acids or abrasive substances. Deterioration of surface with finishes other than chrome plating. Their durability is, in fact, dependent on the user's care and gentleness of use.

Deterioration of the fitting due incorrect installation.

Improper repairs and maintenance performed without the company's prior authorization.

The warranty from IB Rubinetterie SpA is not renewable.

**Cleaning**

We recommended cleaning the finish surfaces with water and soap, using a soft cloth.

Do not use detergents that cointain hydrochloric acid or abrasive substances.

