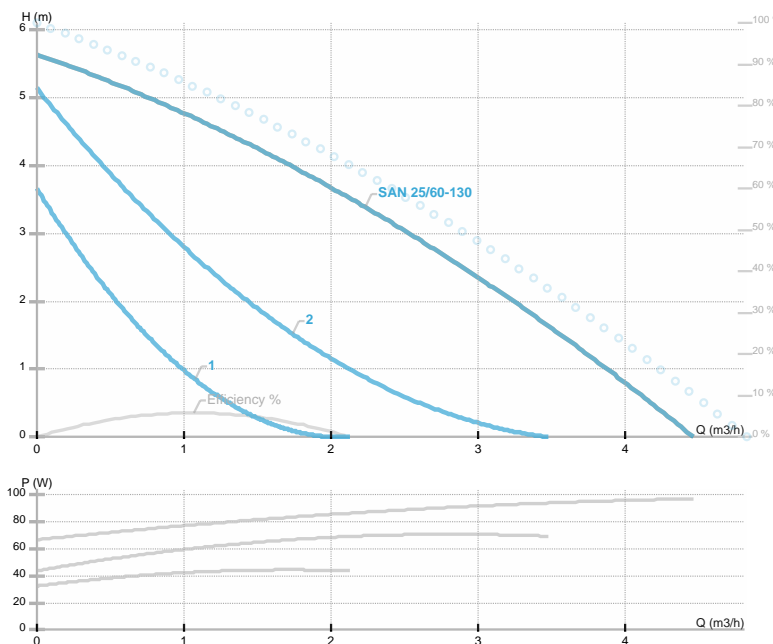




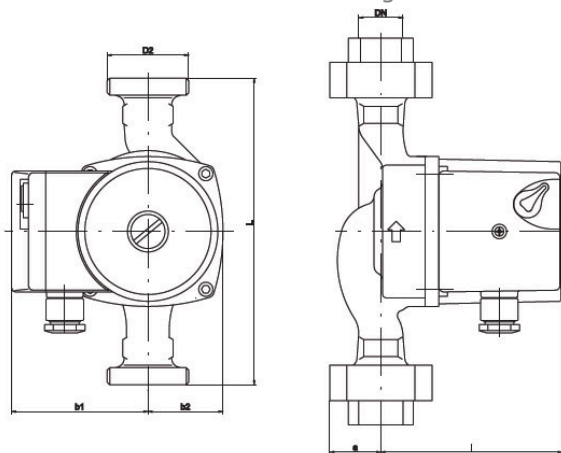
## SAN 25/60-130

SAN / Three speeds threaded pumps for circulation of sanitary water  
 Sanitary water



Part number	<b>979521770</b>
Power supply	
Declared protection	<b>IP44</b>
Q max	<b>3.5 [m³/h]</b>
H max	<b>6.0 [m]</b>
RPM	<b>1080 - 1980 [1/min]</b>
Motor power	<b>90 [w]</b>
Declared current	<b>0.39 [A]</b>
Fluid	<b>Water VDI 2035</b>
Fluid temperature	<b>-10.0 ÷ 65.0 [°C]</b>
Insulation class	<b>H</b>
DN	<b>25 [mm]</b>
Connector	<b>G 1 ½</b>
Net weight	<b>2.65 [kg]</b>
Length	<b>130 [mm]</b>
Approvals	<b>CE EAC</b>
EEL	
Efficiency	<b>[%]</b>
Impeller material	<b>Noryl 1630V</b>
Bearing material	
Shaft material	<b>AISI 420</b>
Hydraulics material	<b>Bronze</b>
Mains frequency	<b>50 Hz</b>
Connection	<b>G 1 ½</b>
Max pressure	<b>1.0 MPa</b>
Ambient temp.range	<b>35 deg C</b>

Dimension drawing



DN=25 D2=1 1/2" L=130 l=108 b1=80 b2=44 a=28

Electrical wiring