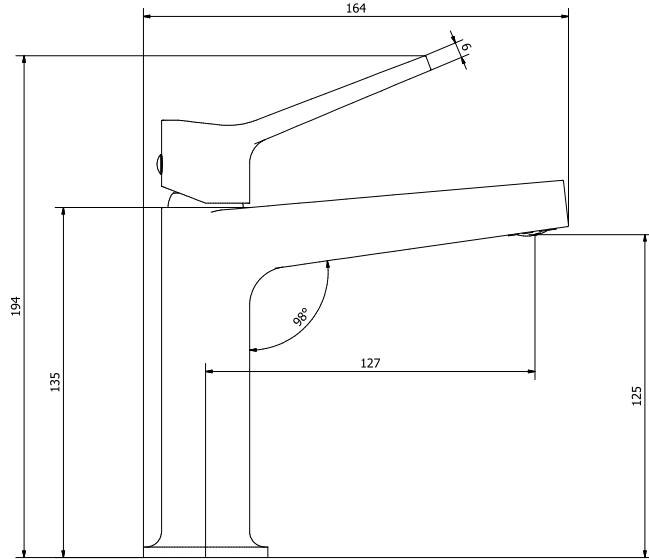




www.ibrubinetterie.it

TWIT  
TW200

Range  
Product



Product Description

Mono hole washbasin mixer with a 1-1/4" click-clack automatic pop-up waste, a metal lever and the base integrated within the body as single-casted.

Available Finishings

Chrome	<input checked="" type="checkbox"/>	Glossy Black	<input checked="" type="checkbox"/>	PVD Gold	<input type="checkbox"/>	Copper	<input type="checkbox"/>
Nickel Brushed	<input checked="" type="checkbox"/>	Matt White	<input type="checkbox"/>	Gold	<input type="checkbox"/>	Bronze	<input type="checkbox"/>
Glossy White	<input checked="" type="checkbox"/>	Matt Black	<input type="checkbox"/>	Rose Gold	<input checked="" type="checkbox"/>	YO - Your Own	<input checked="" type="checkbox"/>

Tech Specifications

iB Standard	Possible Alternative
-------------	----------------------

Cartridge	iB 25 mms Ceramic Discs Cartridge	Flow Restrictions – See below
Wall Hoses	Flexible Inox 3/8", 450 mms long	Flexible Inox 1/2", 450 mms long Copper Tails PEX Pipes
		Different lengths available on request

Aerator M 18,5X1

Flow Rate (+/- 10%)

1 BAR	5,5 l/m
2 BAR	7,5 l/m
3 BAR	9,5 l/m

Changing aerator or adding flow restrictors in the hoses, the following range of TOP flow rates can be achieved	0,5 l/m
	1,0 l/m
	1,5 l/m
	3,0 l/m
	4,0 l/m
	6,0 l/m
	7,0 l/m

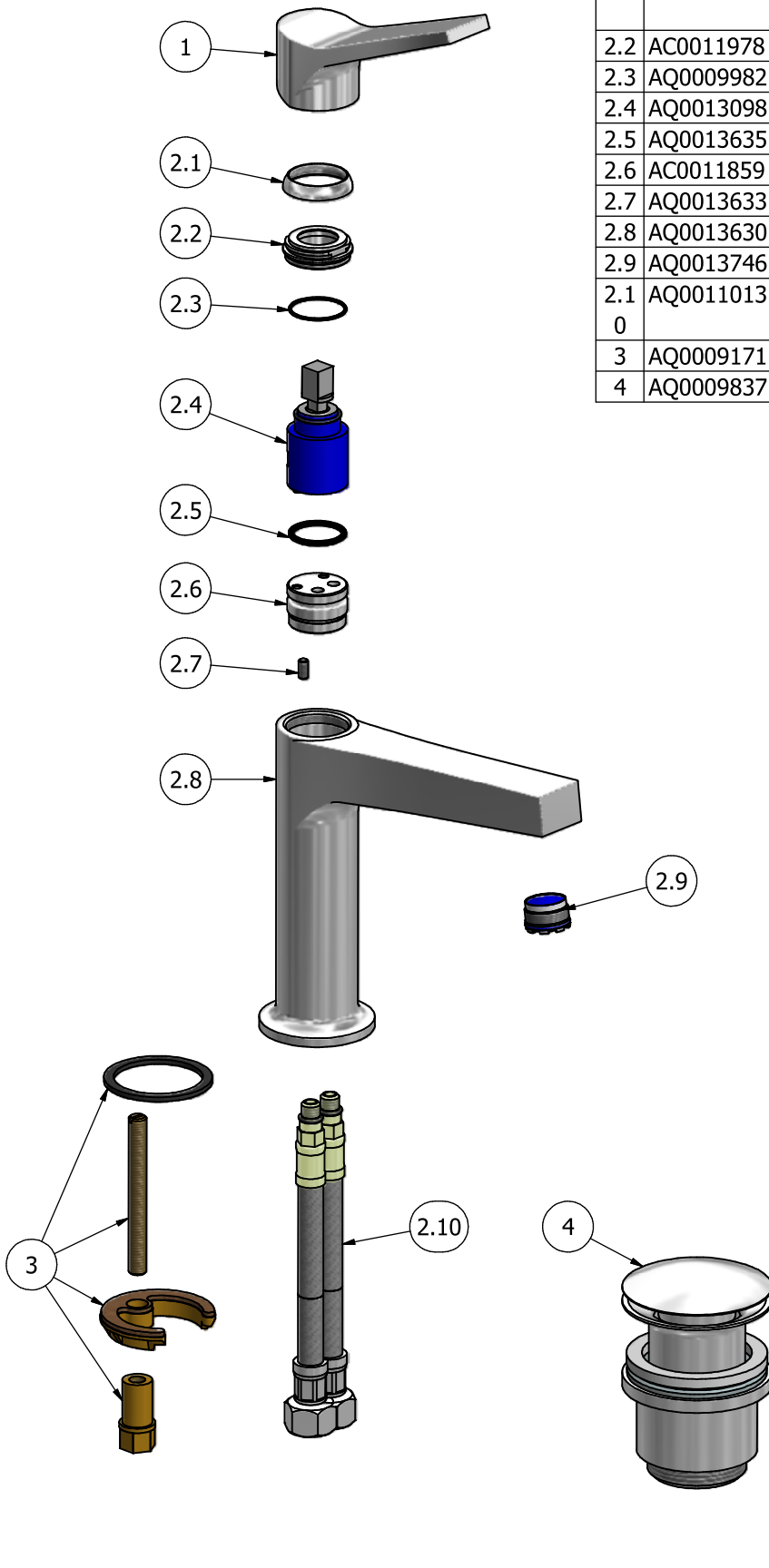
Material Brass  
According to CUZN35PB2AL-B(CB752S)  
Max Lead content: 1,6%

Production Main body is a single casted piece



info@ibrubinetterie.it  
 p.iva 01785230986  
 capitale sociale €420.000,00 i.v.  
 T +39 030 802101  
 F +39 030 803097  
 iB Rubinetterie SpA  
 via dei pianotti, 3/5 - 25068 sarezzo (bs) - Italy

ELENCO PARTI			
EL	CODICE	DESCRIZIONE	QT
1	AQ0013634	Handle Ø34 H32 with inox plug and plug	1
2	CPTW200CC-1	Preassembled washbasin mixer	1
2.1	AC0010663	Cartridge fixing nut chrome cover M27x1 H5,6	1
2.2	AC0011978	Nut for cartridge M27x1 H9	1
2.3	AQ0009982	OR 22x1 NBR 70 SH	1
2.4	AQ0013098	Ceramic cartridge Ø25 9x9 (K25 OP S)	1
2.5	AQ0013635	OR 20x2 NBR 70 SH	1
2.6	AC0011859	Connection piece Ø24.9X17.5	1
2.7	AQ0013633	Grubscrew M4x6 p.p.	1
2.8	AQ0013630	Body Ø34 H135	1
2.9	AQ0013746	Cachè perlator M18,5 x 1 coin slot 1.5 GPM	1
2.10	AQ0011013	Flex inox M8x1 G3/8" L450	2
3	AQ0009171	Fixing set	1
4	AQ0009837	Simple rapid waste 1"1/4	1



A termini di legge questo disegno non può essere riprodotto senza la nostra autorizzazione

 www.ibrubinerie.it Via del Pianotti 3/5 25068 Sarezze - BRESCIA tel. 030802101 fax. 030803097 www.ibrubinerie.it	Tolleranze generali		Peso	Scala	Formato	
	±0.1			1:2	ISO A3	
	Materiale					
	Disegnatore	Data creazione	Approvato da	Approvato il		
Vivenzi M.	09/05/2012	Tira Gabriele	11-05-2012			
Denominazione					Codice	
Esploso lavabo Twit					KTW200CCXN_1	

## WARRANTY

all iB Rubinetterie SpA products are warranted for 10 years from the date of purchase, for the following cases:

- defects of casting, porosity and chrome plating
- operating defects caused by incorrect fabrication.

The warranty provides for the repair or replacement of products with fabrication defects recognized by our technical office.

There is no other type of compensation and the merchandise must be returned FOB our warehouse. The warranty only cover surface defects (scartches, dings, etc.) on fittings that have not been installed and used, returned in its original packaging with all components.

O-rings, gasket seals and components subject to wear proportional to use are warranted for 2 years.

### **The warranty is void in the following cases:**

- error installing and putting the product into service.
- deterioration of chrome-plated surfaces due to use of cleaning products containing acids or abrasive substances
- deterioration of surface with finishes other than chrome plating. Their durability is, in fact, dependent on the user's care and gentleness of use.
- deterioration of the fitting due incorrect installation.
- improper repairs and maintenance performed without the company's prior authorization.

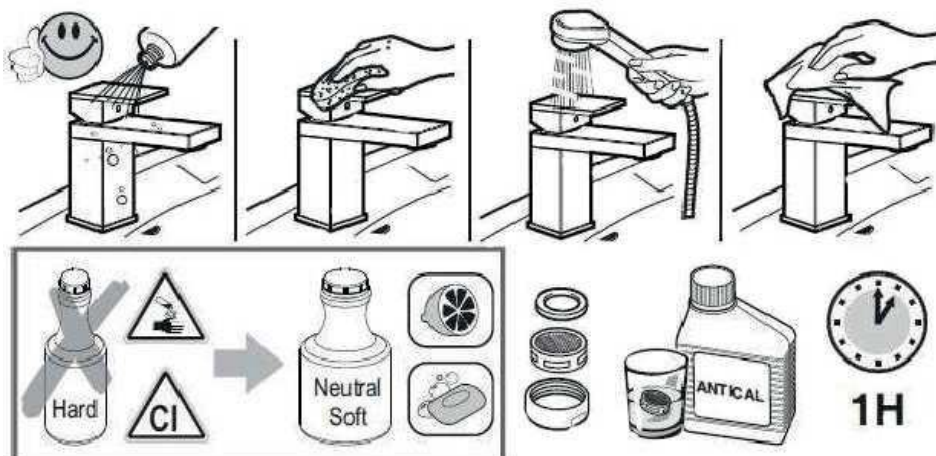
The warranty from iB Rubinetterie SpA is not renewable.

### **Cleaning:**

We recommend cleaning chrome-plated and gold-finish surface with water and soap, using a soft cloth.

Do not use detergents that contain hydrochloric acid or abrasive substances.

Plastic parts must only be cleaned with soap and water and soft cloth.



#### **IMPORTANT**

##### **Pressure & Temperature Requirements.**

- \* Hot and cold water inlet pressures should be equal.
- \* Inlet pressure range: 150-1000 kPa
- \* New Regulation: -500 kPa maximum operating pressure at any outlet within a building. (Ref. AS/NZS 3500.1-2003, Clause 3.3.4)
- \* Maximum hot water temperature: 80°C.



**iB Rubinetterie S.p.A.**  
Via dei Pianotti 3/5  
25068 SAREZZO (BS) Italy  
Iscr. Reg. Impr. BS 01785230986  
R.E.A. BS 352087  
P.IVA IT01785230986  
Capitale Sociale € 420.000,00 i.v.  
phone +39 030 802101  
fax +39 030 803097  
info@ibrubinetterie.it  
www.ibrubinetterie.it

