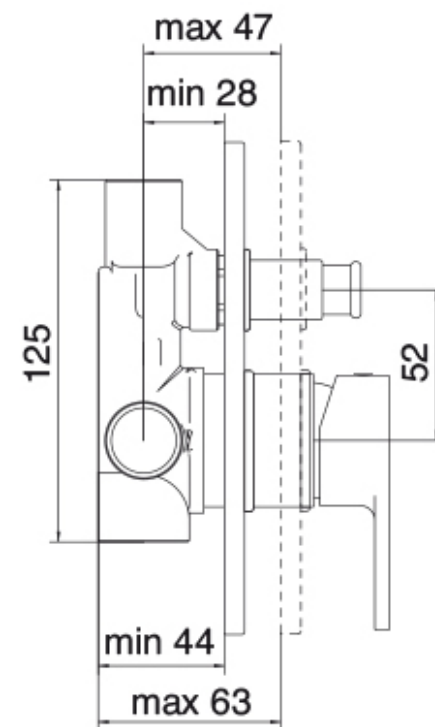
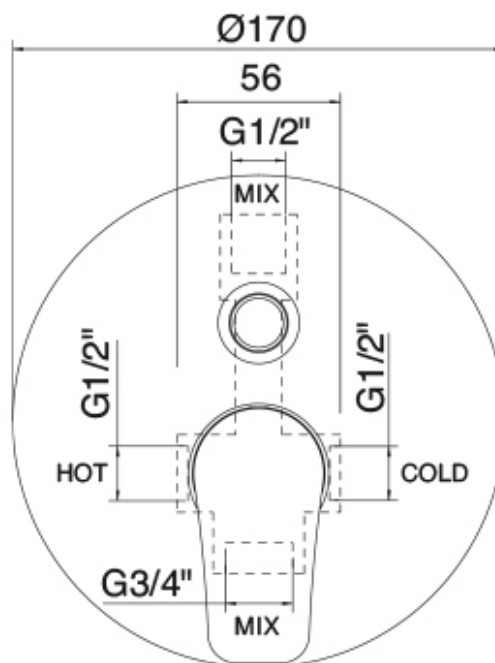


# 4949

FINITURE:



CROMO



RUBINETTERIE  
**tremme**  
*instruments for water*