



# IB RUBINETTI

Collection

## WHYNOT?

Article

## WN202

Description

**Tall monohole washbasin mixer**

Box Dimensions

**220 x 410 x 80 mm**

Weight

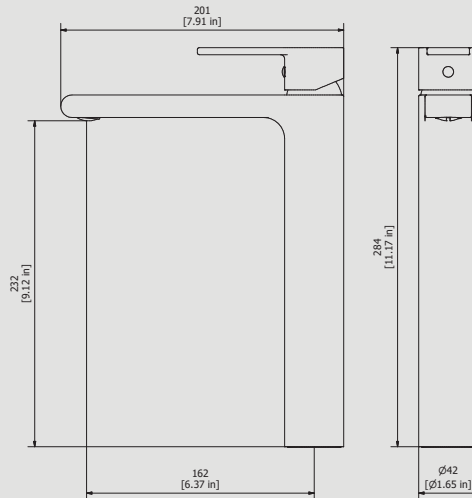
**2 kg**

Finishes

- CC**  
CHROME
- CF**  
BLACK CHROME
- OO**  
GOLD
- BB**  
ANTIQUE BRONZE
- SS**  
BRUSHED NICKEL
- CS**  
BRUSHED BLACK CHROME
- BO**  
MATT WHITE
- NP**  
MATT BLACK
- IS**  
BRUSHED PALE GOLD
- OS**  
BRUSHED GOLD
- II**  
PALE GOLD
- RR**  
ANTIQUE COPPER
- ORS**  
ROSE GOLD
- ON**  
NATURAL BRASS
- SR**  
BRUSHED ROSE GOLD
- PL**  
PLATINUM



Dimensions



Cartridge

**Ø35 ceramic cartridge**

Hoses

**Inox hoses G3\8" female 350 mms long**

Aerator

**M24x1**

Flow Rate (+/-10%)

<b>1 BAR</b>	<b>2 BAR</b>	<b>3 BAR</b>
<b>8.6 l\min</b>	<b>12.3 l\min</b>	<b>15.2 l\min</b>

Production

**Main body is a single casted pieces**

Material

**BRASS**  
According to CuZn35Pb2AL-B (CB752S)  
Max Lead content: 1.36%

IB RUBINETTERIE s.p.a  
via dei Pianotti 3/5  
25068 Sarezzo (BS) - Italy -

T. +39 030 802101  
F. +39 030 803097  
info@ibrubinetterie.it

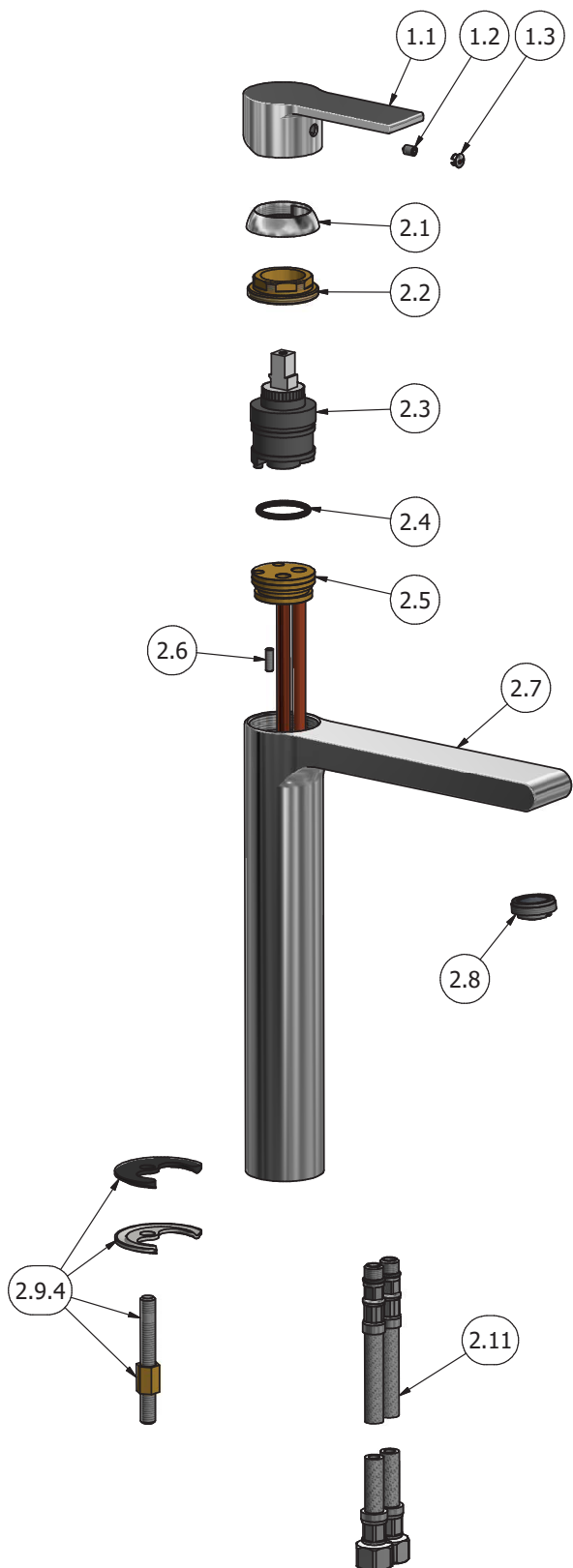
P.IVA 01785230986  
capitale sociale  
€420.000,00 i.v.

WWW.IBRUBINETTI.IT





# IB RUBINETTI



Parts list			
ELEM	CODE	DESCRIPTION	QT
1	AQ0015945	Handle Ø42 H30 L103	1
1.1		Handle Ø42 lever 30x83 square 9x9	1
1.2		Grubscrew M5x8 cone point	1
1.3		Plug cover Ø7	1
2	AQ0015946	Preassembled tall washbasin mixer	1
2.3		Ceramic cartridge Ø35	1
2.2		Ring M38x1.25M M32x1.25M	1
2.1		Wheel cover M32x1.25F	1
2.7		Body Ø42 H250 L180	1
2.8		Perlator coin slot M24x1 (45.2006.000)	1
2.5		Insert Ø33.8 with pipe	1
2.6		Grubscrew M4x12 flat point	1
2.4		OR 24x2.5 NBR 70 SH	1
2.9		Fixing set M8 L70	1
2.9.2		Fixing flange Ø49.8 H3.5	1
2.9.1		Gasket Ø49.8 H4.2	1
2.9.4		Nut M8 H15 ES11	1
2.9.3		Rod M8 L70	1
2.10		OR 34x2.5 NBR 70 SH	1
2.11		Inox hose M10x1 G3/8" F L350	2

## WARRANTY

All IB Rubinetterie SpA products are warranted for 10 years from the date of purchase, for the following cases:

- Defects of casting, porosity and chrome plating.
- Operating defects caused by incorrect fabrication.

The warranty provides for repair or replacement of products with fabrication defects recognized by our technical office. There is no other type of compensation anche the merchandise must be returned FOB our warehouse. The warranty only cover surface defects (scatches, dings, etc.) on fitting that have not been installed and used, returned in its original packaging with all components. O-ring, gasket seals and components subject to wear proportional to use are warranted for 2 years.

### The warranty is void in the following cases:

Error installing and putting the product into service.

Deterioration of finished surfaces due to use of cleaning products containing acids or abrasive substances. Deterioration of surface with finishes other than chrome plating. Their durability is, in fact, dependent on the user's care and gentleness of use.

Deterioration of the fitting due incorrect installation.

Improper repairs and maintenance performed without the company's prior authorization.

The warranty from IB Rubinetterie SpA is not renewable.

### Cleaning

We recommended cleaning the finish surfaces with water and soap, using a soft cloth.

Do not use detergents that contain hydrochloric acid or abrasive substances.

